

New Metal Construction for Balcony Cladding

In Stainless Steel or Powder-Coated

Completely modular 

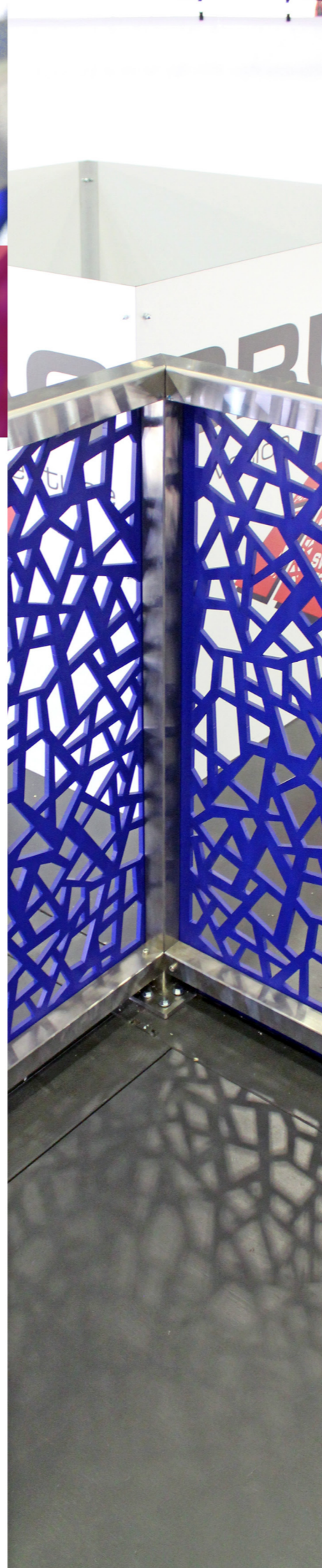


BRUAG
Innovation for Architecture

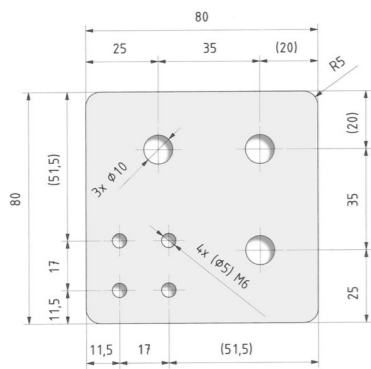


Bruag Balcony Claddings: Combine Aesthetics and Functionality easily

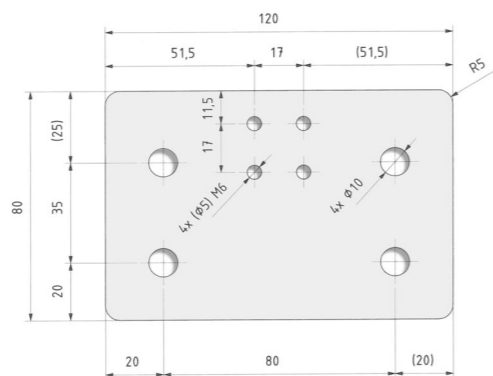
Forms and colours according your individual design or in one of over 100 proposed perforation patterns: the possibilities with the semi-transparent Bruag balcony claddings and the newly developed modular metal construction are nearly unlimited. With this new system, metal construction teams can fix Bruag balcony claddings in a very short time and cost-efficient.



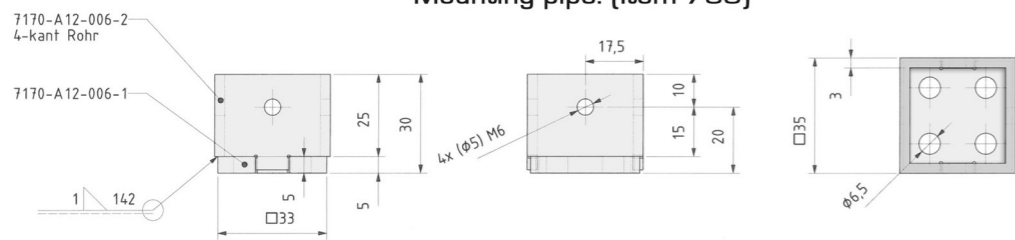
Corner plate: (Item 800)



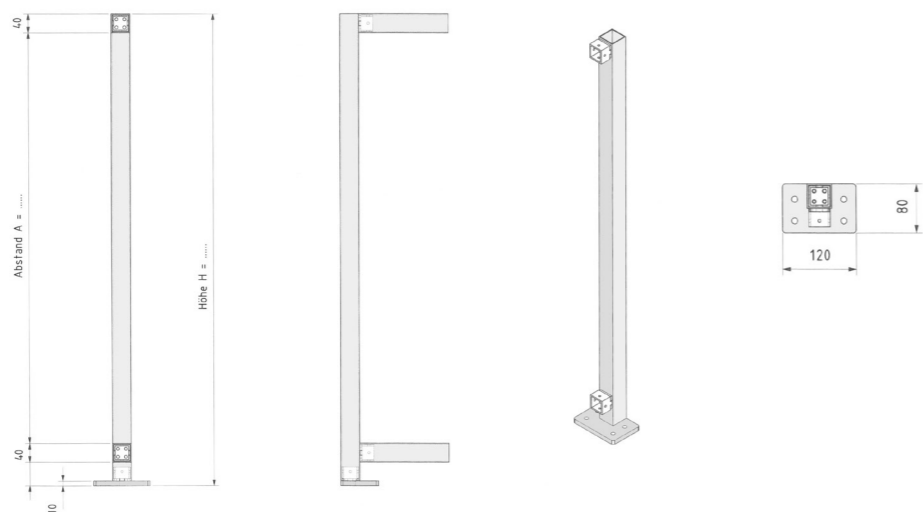
Middle plate: (Item 900)



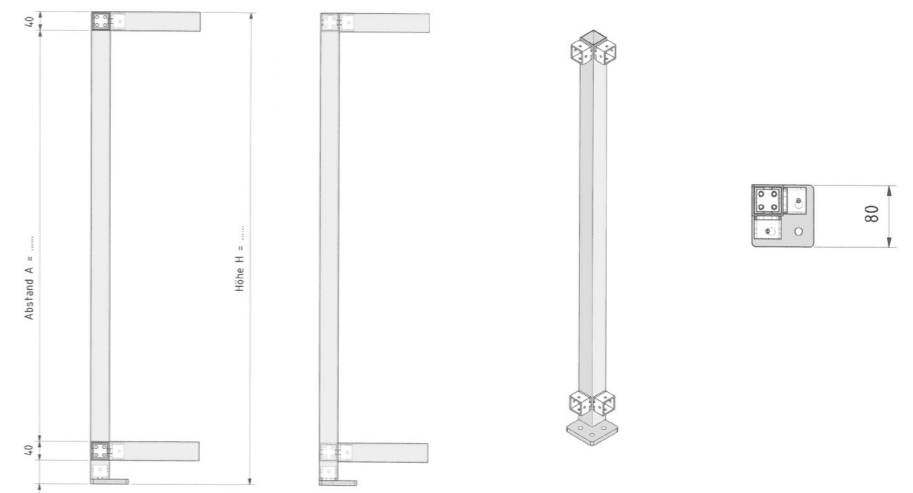
Mounting pipe: (Item 700)



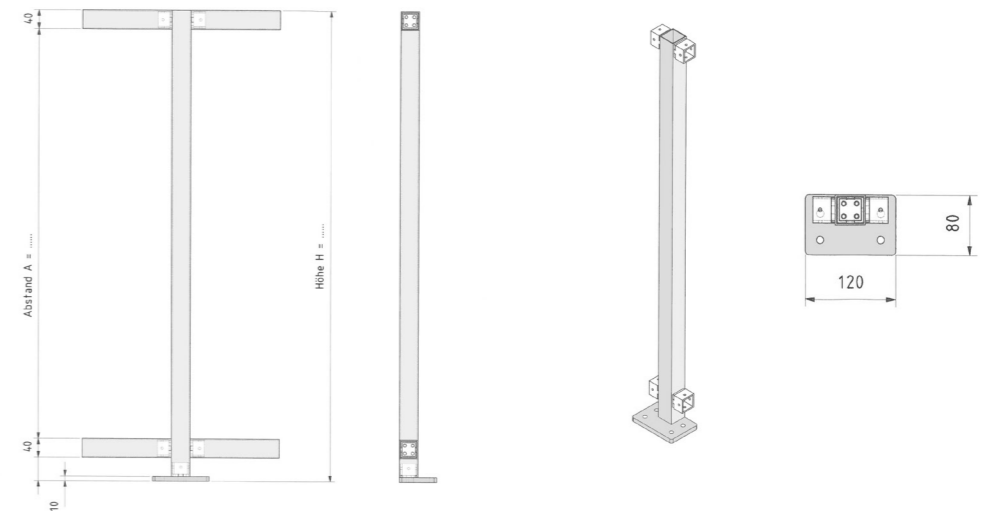
Simple post made of square tube: (Item 100)



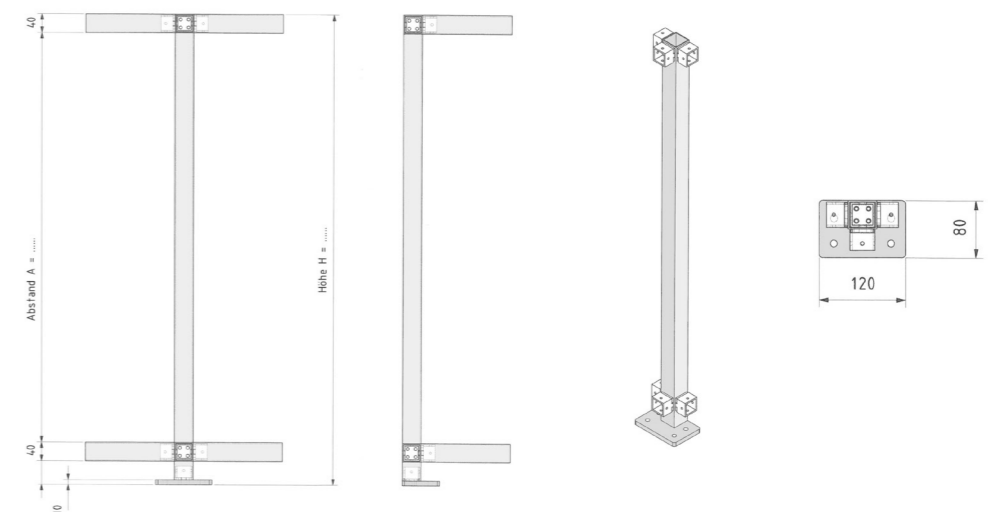
Corner post made of square tube: (Item 300)



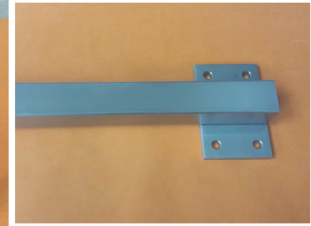
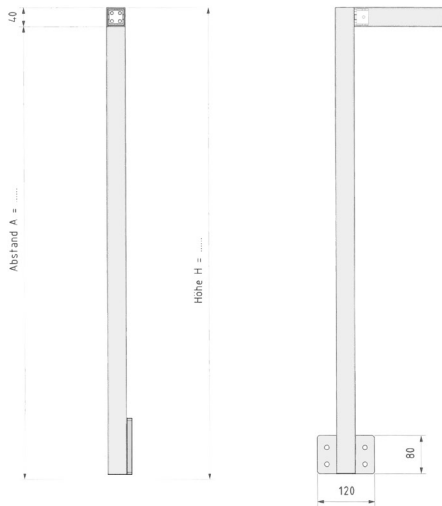
Straight Post made of rectangular tube: (Item 200)



Post type T made of rectangular tube: (Item 400)



Front post made of square tube: (Item 200)



Lrm, Stainless steel angle (50x42x2mm): (Item 600)



Bruag AG
Bahnhofstrasse 8
8594 Güttingen
Switzerland

Phone: +41 71 414 00 90
Fax: +41 71 414 00 91

info@bruag.ch
www.bruag.ch